

Name: _____

ASM Tuition Academy
AREA AND PERIMETER

Instructions:

- Use **black** ink or ball-point pen.
- Answer all questions.
- Answer the questions in the spaces provided
- there may be more space than you need.
- Diagrams are **NOT** accurately drawn, unless otherwise indicated.
- You must **show all you're working out**.

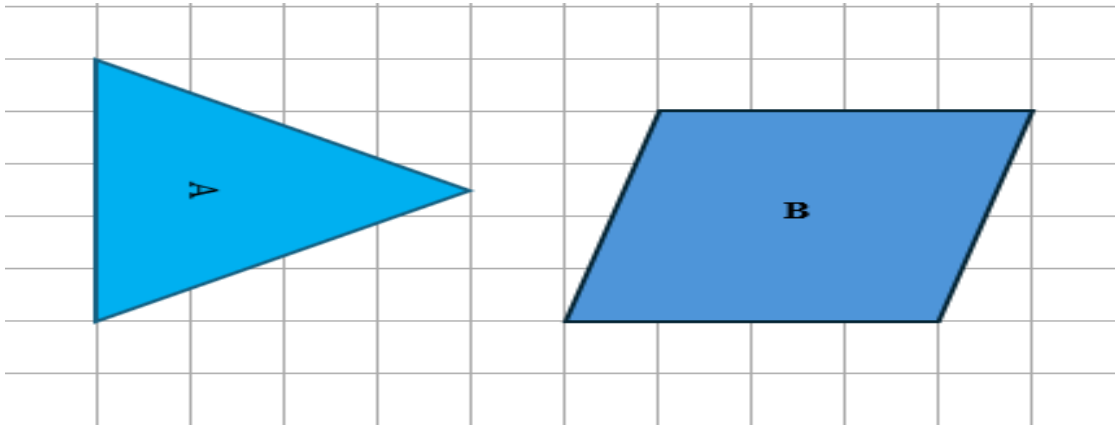
Information:

- The marks for each question are shown in brackets
- use this as a guide as to how much time to spend on each question.

Advice:

- Read each question carefully before you start to answer it.
- Keep an eye on time.
- Try to answer every question.
- Check your answers if you have time at the end.

Q1. The diagram shows two shapes on a centimeter grid.



- (a) Find the area of shape A
- (b) Write down the mathematical name for shape B.
- (c) Find the area of shape B.

(Total for question 1 is 3 marks)

Q2. The length of a rectangle is three times the width of the rectangle. The perimeter of the rectangle is 40 cm. Draw the rectangle on a centimeter grid.

(Total for question 2 is 2 marks)

Q3. The length of a rectangle is twice the width of the rectangle. The area of the rectangle is 72 cm^2 . Draw the rectangle on a centimeter grid.

(Total for question 3 is 2 marks)

Q4. The base of a triangle is twice the height of the triangle. The area of the triangle is 64 cm^2 . Draw the triangle on a centimeter grid.

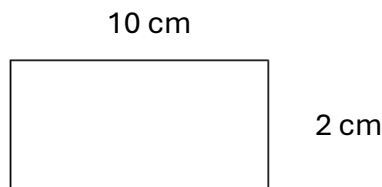
(Total for question 4 is 2 marks)

Q5. The base of a parallelogram is twice the perpendicular height of the parallelogram. The area of the parallelogram is 98 cm^2 . Draw the parallelogram on a centimeter grid.

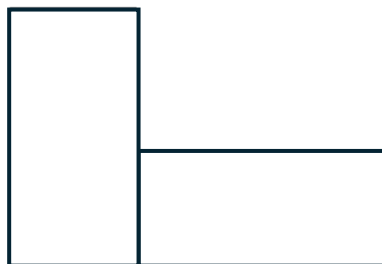
(Total for question 5 is 2 marks)

Q6.

Here is a rectangle.



The six-sided shape below is made from two of these rectangles.

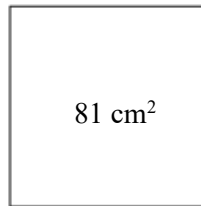


Work out the perimeter of this six-sided shape.

(Total for question 6 is 3 marks)

Q7.

A square has an area of 81 cm^2



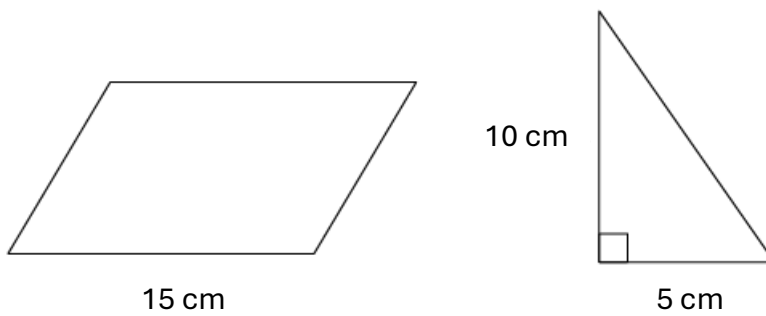
Find the perimeter of the square.

(Total for question 7 is 2 marks)

Q8. A square has a perimeter of 44 cm. Find the area of the square.

(Total for question 8 is 2 marks)

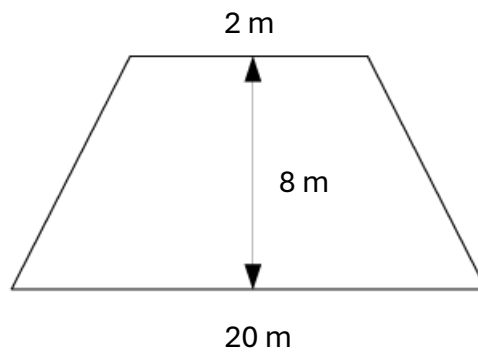
Q9. The diagram shows a parallelogram and right-angled triangle.



The area of the parallelogram is six times the area of the triangle. The perpendicular height of the parallelogram is x . Find the value of x .

(Total for question 9 is 3 marks)

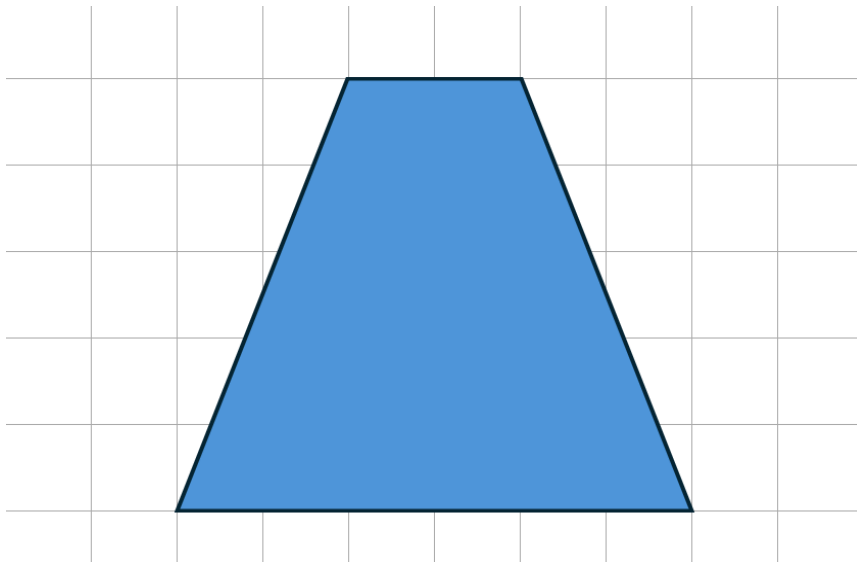
Q10. The diagram shows a hall in the shape of a trapezium.



Find the area of the hall.

(Total for question 10 is 3 marks)

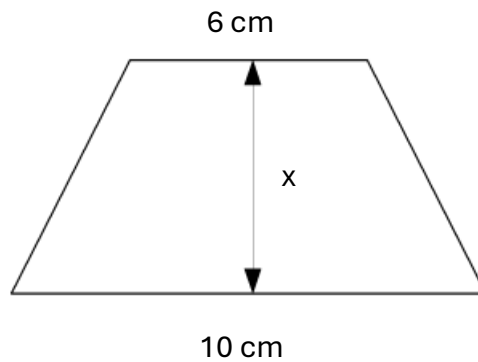
Q11. Here is a trapezium drawn on a centimeter grid.



Find the area of the trapezium.

(Total for question 11 is 2 marks)

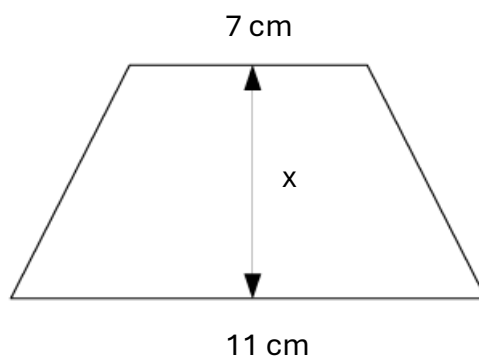
Q12. The diagram shows a trapezium with an area of 72 cm^2 and a perpendicular height $x \text{ cm}$.



Find the value of x .

(Total for question 12 is 2 marks)

Q13. The diagram shows a trapezium with an area of 81 cm^2 and a perpendicular height $x \text{ cm}$.



Find the value of x .

(Total for question 13 is 2 marks)